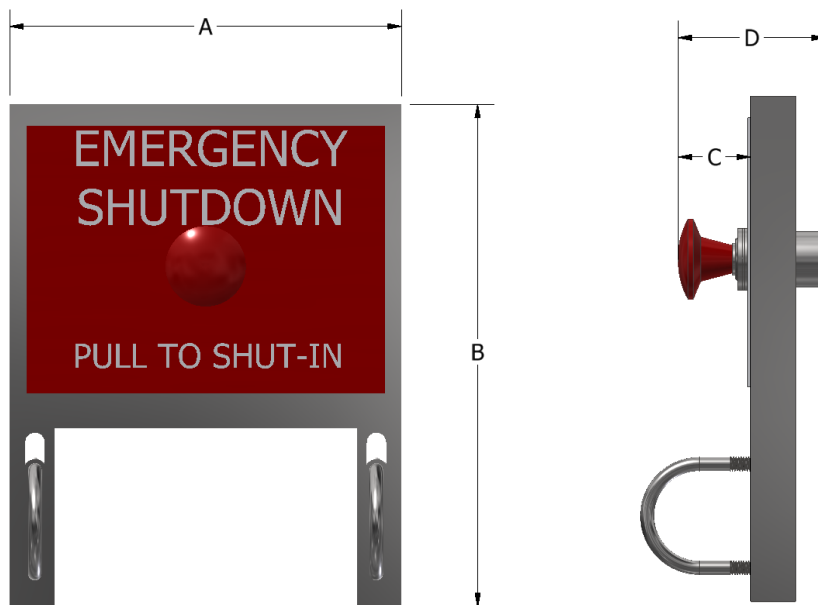


OPERATION

The Ruelco ESD station is a compact, highly visible ESD station. It uses the Ruelco 2-way or 3-way, high flow, manual pull valve to quickly shut down any pneumatic or hydraulic loop system. The Ruelco ESD station also uses a large red tag to increase visibility. It can be mounted in any desired location by clamping the station to any 1-1/2" diameter handrail or any 1-1/2" diameter pipe. When the manual valve is pulled open, it will stay open until it is manually pushed closed.

FEATURES

- 316 stainless steel construction (models to N.A.C.E. MR0175 available)
- Large Cv factor assures fast system response
- May be used in pneumatic or hydraulic systems
- Viton seals are utilized for dependability
- Easily repaired without removing valve from station mounting plate



DIMENSIONS

A	8.75" (222.3 mm)
B	11.25" (285.8 mm)
C (OPEN / CLOSED)	1.62 / 2.12" (41.1 / 53.8 mm)
D (2-WAY VALVE)	3.25" (82.55 mm)
D (3-WAY VALVE)	4.11" (104.4 mm)

PHONE: 504-340-0055
FAX: 504-340-0056
EMAIL: SALES@RUELCO.COM

1209 DISTRIBUTORS ROW
NEW ORLEANS, LA 70123

ESD STATION



Proudly Distributed By

TRIDENT AUSTRALIA
FLUID SYSTEMS & COMPONENTS

PARTS LIST

ITEM	QUANTITY	DESCRIPTION	MATERIAL
1	1	FACE PLATE	ACRYLIC
2	1	ESD VALVE	316 ST. STL.
3	2	U-BOLT	316 ST. STL.
4	4	FLAT WASHER	316 ST. STL.
5	4	HEX NUT	316 ST. STL.
6	1	SUPPORT BRACKET	316 ST. STL.

SPECIFICATIONS

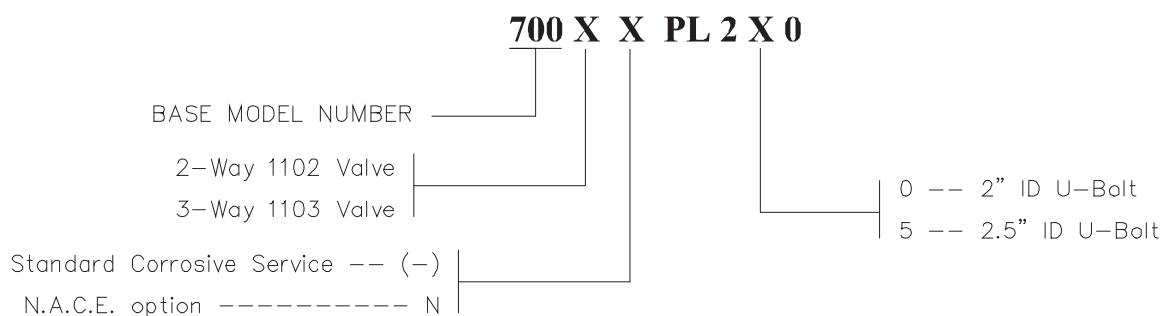
MAXIMUM WORKING PRESSURE	150 PSI (10.3 BAR)
AMBIENT TEMPERATURE RANGE	-20 TO 250° F -29 TO 122° C
Cv FACTOR	1.8

REPAIR KIT

- 11-005-000 - 2-WAY VALVE
- 11-005-3WY - 3-WAY VALVE

OTHER TEMPERATURE RANGES AND SEAL COMPOUNDS AVAILABLE UPON REQUEST

ORDERING CODE



ESD STATION

PHONE: 504-340-0055
FAX: 504-340-0056
EMAIL: SALES@RUELCO.COM

1209 DISTRIBUTORS ROW
NEW ORLEANS, LA 70123

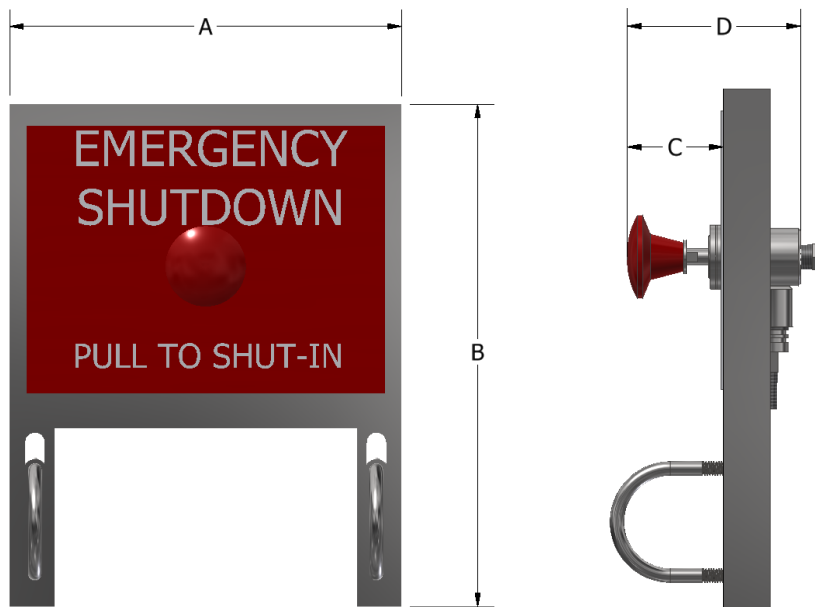


OPERATION

The Ruelco Electric ESD station is a compact, highly visible ESD station. It uses the Ruelco ESD valve with a dry connect, snap acting electrical switch to quickly and effectively break or close a control loop. The Ruelco ESD station also uses a large red tag to increase visibility. It can be mounted in any desired location by clamping the station to any 1-1/2" diameter handrail or any 1-1/2" diameter pipe. When the manual valve is pulled open, it will stay open until it is manually pushed closed.

FEATURES

- 316 stainless steel construction (models to N.A.C.E. MR0175 available)
- SDPT or DPDT Switch
- Uses hermitically sealed, snap actin dry contact, explosion proof U.L. rated switch
- Easily repaired without removing valve from station mounting plate



DIMENSIONS

A	8.75" (222.3 mm)
B	11.25" (285.8 mm)
C (OPEN / CLOSED)	1.62 / 2.12" (41.1 / 53.8 mm)
D	3.25" (82.55 mm)
ELECTRIC CONNECTION	1/2" MNPT

PHONE: 504-340-0055
FAX: 504-340-0056
EMAIL: SALES@RUELCO.COM

1209 DISTRIBUTORS ROW
NEW ORLEANS, LA 70123

ELECTRIC ESD STATION

ELECTRICAL OPERATION

LEAD	COLOR	RISING LEVEL	FALLING LEVEL
NO / NO2	BLUE / PURPLE	CLOSES	OPENS
NC / NC2	RED / BLACK	OPENS	CLOSES
C / C2	BROWN / YELLOW	COMMON LEADS	
GND	GREEN	GROUND	

ELECTRICAL SPECIFICATIONS

SPDT & DPDT SWITCH MAXIMUM VOLTAGE	250 VAC 28 VDC
SPDT & DPDT SWITCH AMPS @ MAXIMUM VOLTAGE	5 AMPS
AMBIENT TEMPERATURE RANGE	-20 TO 158° F

ELECTRICAL CERTIFICATIONS

UNDERWRITERS LABORATORIES	CLASS I, GROUPS A,B,C,D
UNDERWRITERS LABORATORIES	CLASS II, GROUPS E,F,G
ATEX	Ex d IIC

ELECTRIC ESD STATION

PHONE: 504-340-0055
FAX: 504-340-0056
EMAIL: SALES@RUELCO.COM

1209 DISTRIBUTORS ROW
NEW ORLEANS, LA 70123



Proudly Distributed By

TRIDENT AUSTRALIA
FLUID SYSTEMS & COMPONENTS

PARTS LIST

ITEM	QUANTITY	DESCRIPTION	MATERIAL
1	1	FACE PLATE	ACRYLIC
2	1	ESD VALVE	316 ST. STL.
3A	1	SPDT SWITCH	ST. STL.
3B	-	DPDT SWITCH	ST. STL.
4	1	VENT SCREEN	316 ST. STL.
5	2	U-BOLT	316 ST. STL.
6	4	FLAT WASHER	316 ST. STL.
7	4	HEX NUT	316 ST. STL.
8	1	SUPPORT BRACKET	316 ST. STL.

SPECIFICATIONS

AMBIENT TEMPERATURE RANGE	-20 TO 250° F -29 TO 122° C
---------------------------	--------------------------------

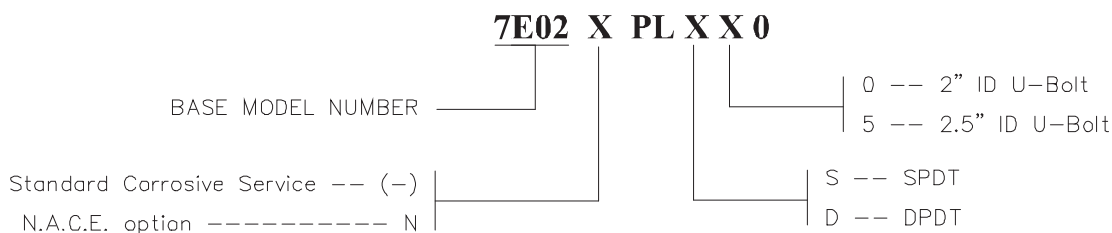
REPAIR KIT

- 11-005-000

OTHER TEMPERATURE RANGES AND SEAL COMPOUNDS AVAILABLE UPON REQUEST

ELECTRIC ESD STATION

ORDERING CODE



PHONE: 504-340-0055
FAX: 504-340-0056
EMAIL: SALES@RUELCO.COM

1209 DISTRIBUTORS ROW
NEW ORLEANS, LA 70123